

ANS MIC

Datasheet

Applies to Part Number:

TUN-ANS

Ambient Noise Microphone



Delivering Clear and Intelligible Messages


AXYS[®]
TUNNEL
by **HARMAN**

User Notice:

- No part of this document including the software described in it may be reproduced, transmitted, transcribed, stored in a database system or translated without the express written permission of Harman Professional. Documentation kept by the end-user for backup purposes is excluded from the above mentioned.
- All products and corporate names mentioned in this document may be registered trademarks or copyrights of their respective companies. They are used here for indicative purposes only.
- The information contained in this document has been carefully checked for accuracy, however no guarantee is given with respect to the correctness. Harman Professional accepts no responsibility or liability for any errors or inaccuracies that may appear in this document or the products and/or software described in it.
- Specifications and information contained in this document are subject to change at any time without notice.

Table of Contents

User Notice:	2
1. Architectural and Engineering Specifications	4
2. Specifications	5
3. Mechanical Details	6

1. Architectural and Engineering Specifications

The Ambient Noise Microphone can be used together with the AXYS Industry Amplifier PB-400, PB-800 or Octadrive-DSP range of products as an ambient noise source for use as autogain on the product outputs, the ANS microphone input on these products can also be broadcast as a Dante transmission.

The unit will be wall or ceiling mountable. A three connection screw type terminal block is provided to connect the microphone cable to the microphone. The terminal block will accommodate 0.05 – 1.3 mm² size wire.

Dimensions are 147 mm (5.8") L x 91 mm (3.6") W x 77 mm (3") H. Weight 0.275 kg (0.6 lbs)

2. Specifications

Acoustical:

Microphone Type	: Electret condenser
Frequency Range	: 100 - 10k Hz (+3/-12 dB)

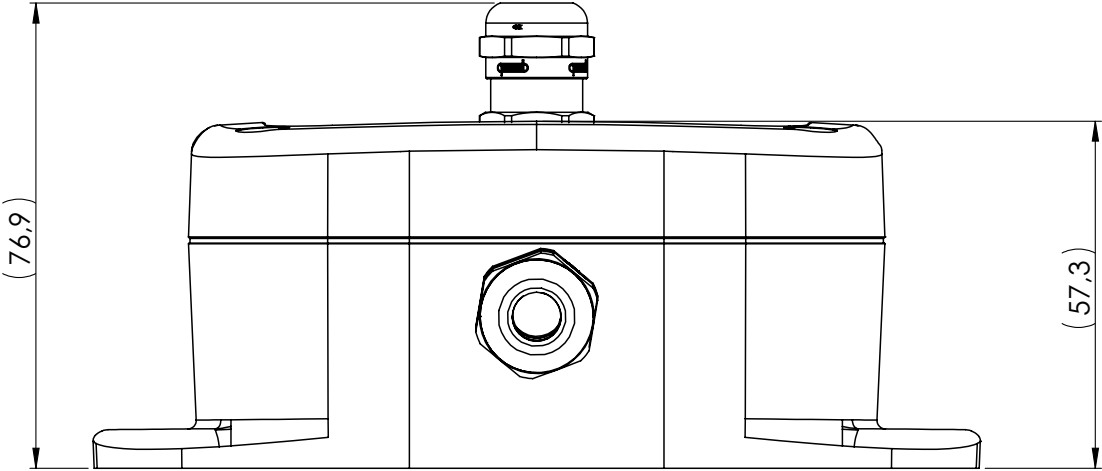
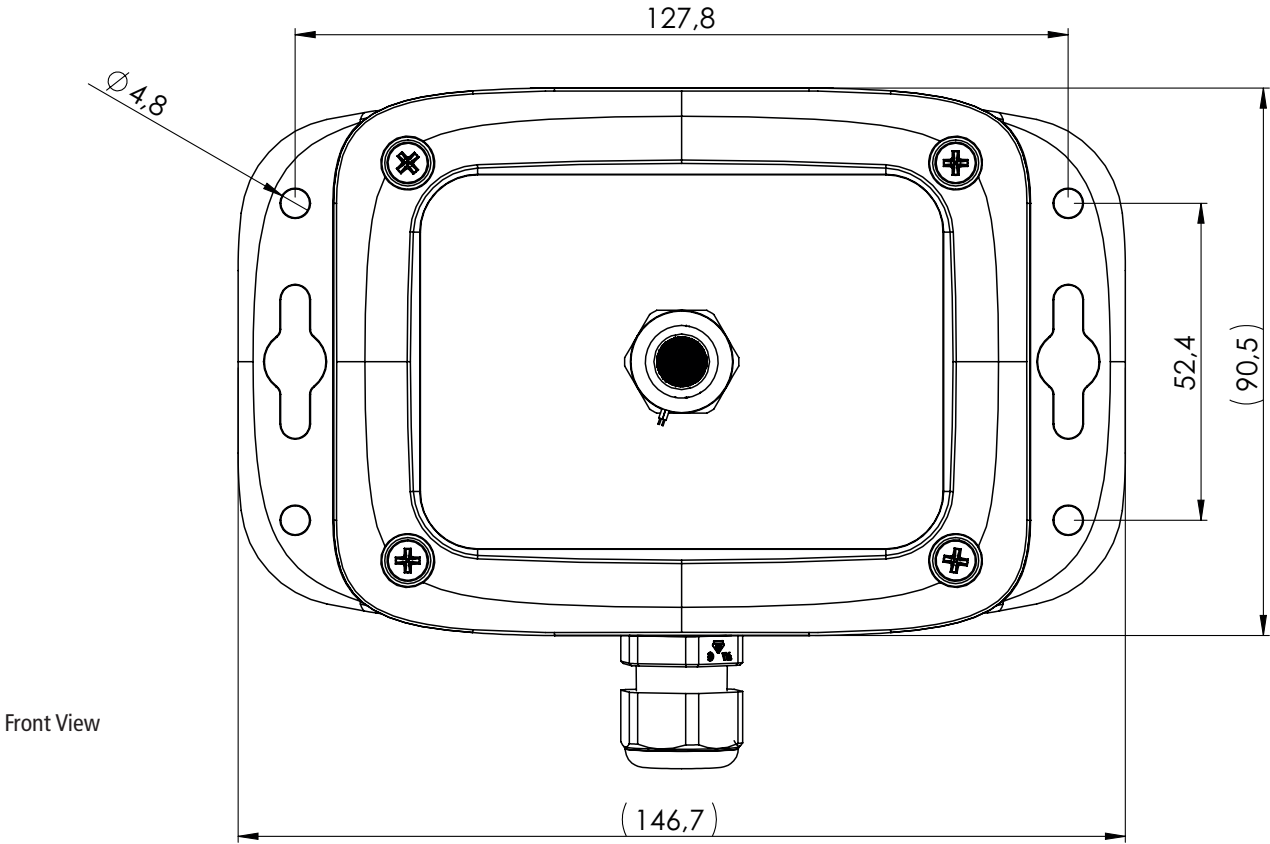
Electrical:

Connections	- Screw terminal block	: MIC+ / MIC- / GND
	- Rated cross-section	: 0.05 – 1.3 mm ²
Cable gland	- Type	: PG 9
	- Minimum diameter	: 4 mm
	- Maximum diameter	: 8 mm

General:

Dimensions (L x W x H)	: 147 mm (5.8") x 91 mm (3.6") x 77 mm (3")
Default colour	: Grey
Weight	: 0.275 kg (0.6 lbs)
Enclosure material	- Enclosure : Polycarbonate
	- Mic gland : Nickel plated brass
Flammability	: UL 94 class V-0
Enclosure protection	: IP 65
Certificates	: CE

3. Mechanical Details



Side View

Note: All dimensions in mm



www.axystunnel.com