



MTC-CBT-FM1/FM2/FM3

Flush-Mount
Wall Brackets
for CBT Speakers

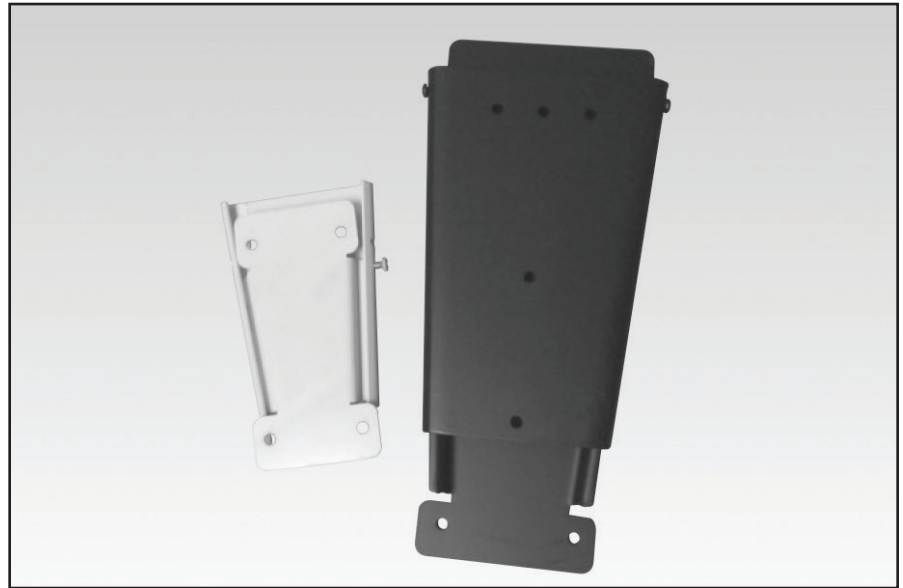
Professional Series

Key Features:

- ▶ Provides Low-Profile, Close-to-Wall Mounting Brackets for JBL CBT Line Array Column Speakers
- ▶ Drop-In Ease of Assembly with Set Screw(s) for Secure Installation
- ▶ ROHS-Compliant Zinc Plating for Weather Resistance
- ▶ For Mounting Speaker in Typical Vertical Orientation (not for Horizontal Orientation)
- ▶ Use one or two for a single cabinet. Use one on each cabinet for 2 cabinet arrays.
- ▶ Available in Black or White (-WH)

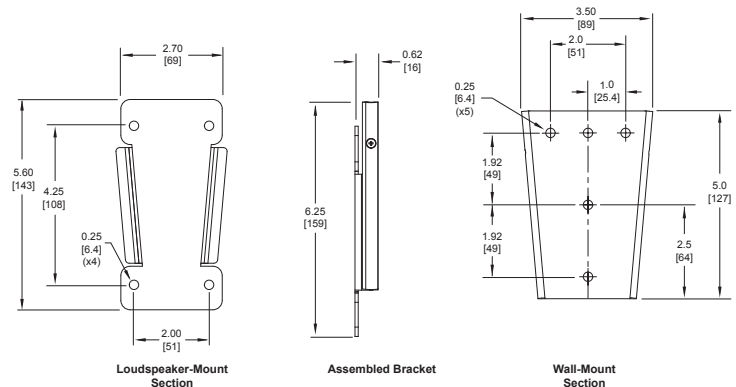
MTC-CBT-FM1

- ▶ For Use with CBT 50LA-1, CBT 100LA-1 and CBT200LA-1.
- ▶ Loudspeaker-Mount Section of bracket attaches to the included insert points on the back panel of the speaker (using the M6x15 mm bolts, flat washers & lock washers that come with the speaker). Mounting points are at 107.6 mm x 50.8 mm (4-1/4 x 2 inch) spacing.
- ▶ Wall-Mount Section has 3 aligned holes vertically; 3 aligned holes horizontally.
- ▶ Loudspeaker-Mount Section drops easily into Wall-Mount Section. Set screw holds securely.
- ▶ 2.25 mm thick (13-Gauge AWG) Metal
- ▶ Bracket assembly spaces back of speaker within 16 mm (0.62 inches) of wall (typical).



Dimensional Diagrams

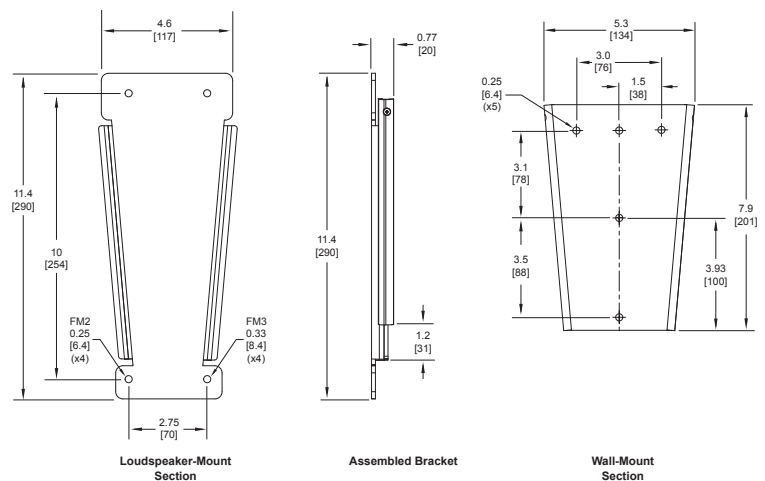
MTC-CBT-FM1 BRACKET DIMENSIONS



MTC-CBT-FM2 and MTC-CBT-FM3

- ▶ FM2 is for use with CBT 70J-1 and CBT 70J-1/70JE-1 array.
- ▶ FM3 is for use with CBT1000 and CBT1000+1000E array.
- ▶ Loudspeaker-Mount Section of bracket attaches to the included insert points on the back panel of the speaker (using the M6x15 mm bolts on FM2, and M8x20 mm bolts for FM3 flat washers & lock washers that come with the speaker). Mounting points are at 254 mm x 70 mm (10 x 2-3/4 inch) spacing.
- ▶ Wall-Mount Section has 3 aligned holes vertically; 3 aligned holes horizontally.
- ▶ Loudspeaker-Mount Section drops easily into Wall-Mount Section. Set screw holds securely.
- ▶ 3.5 mm thick (10-Gauge AWG) Metal
- ▶ Bracket assembly spaces back of speaker within 20 mm (0.77 inches) of wall (typical).

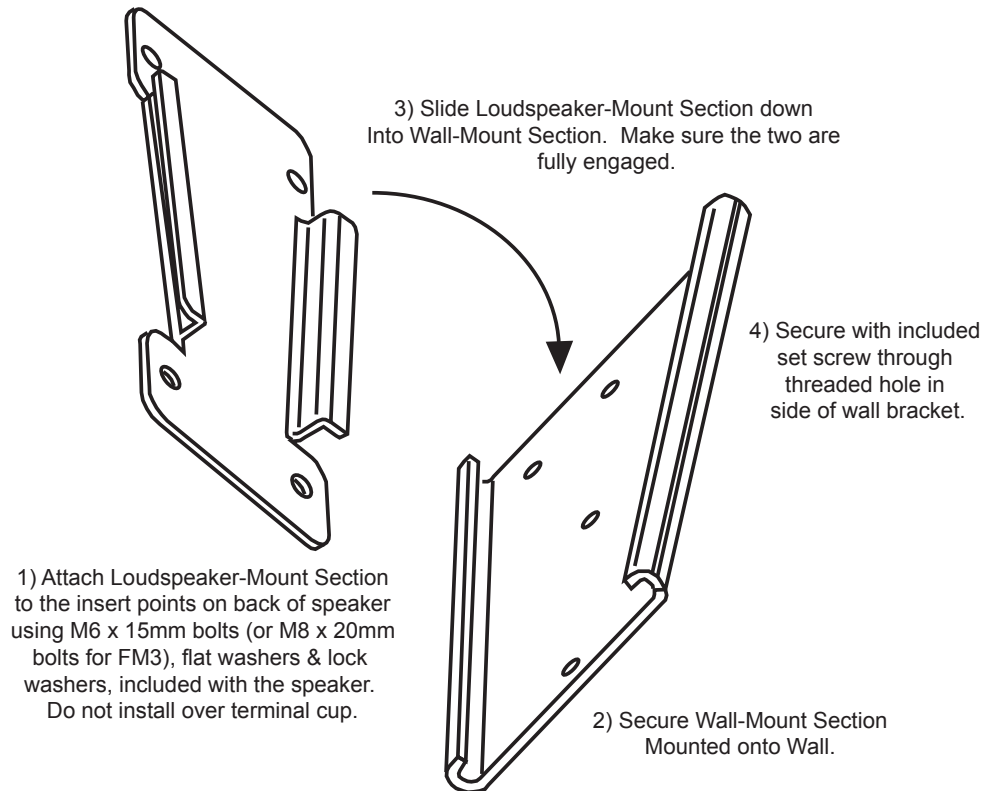
MTC-CBT-FM2 AND FM3 BRACKET DIMENSIONS



Dimensions in mm [inches]

► MTC-CBT-FM1/FM2/FM3 Flush-Mount Wall Brackets for CBT Speakers

Assembly



IMPORTANT: Brackets **MUST** be installed by qualified personnel in accordance with safe installation practices.



JBL Professional
8500 Balboa Boulevard,
Northridge, California 91325 U.S.A.
© Copyright 2026 JBL Professional
www.jblpro.com

SS CBT-FM
CRP
02/26