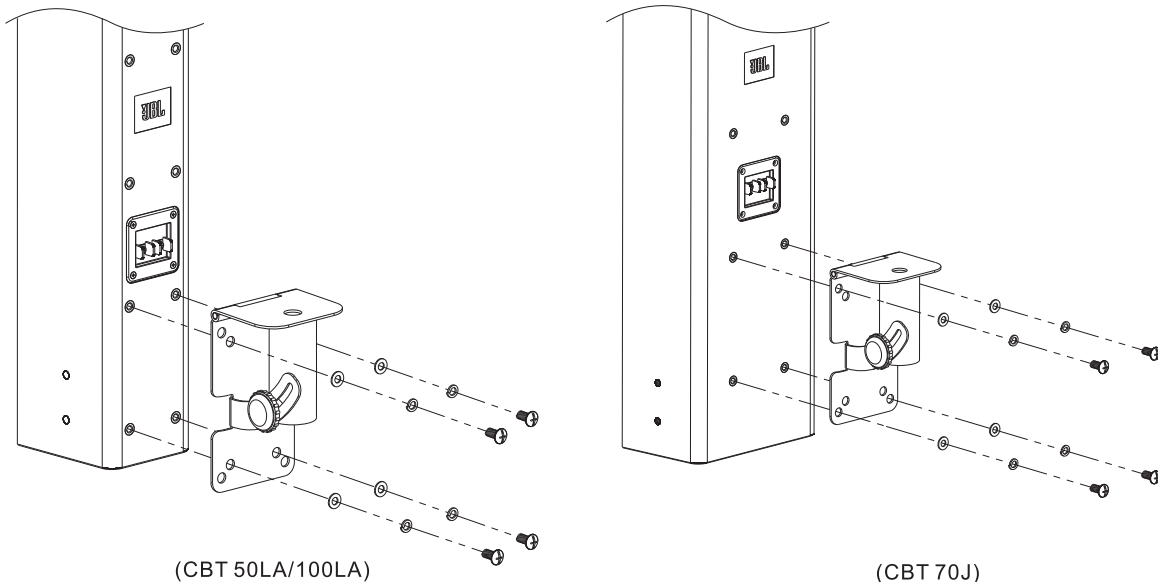




MTC-CBT-SMB1 Stand-Mount Bracket for CBT 50LA, 100LA and 70J

MTC-CBT-SMB1 is a stand-mount adapter for mounting JBL's CBT 50LA, CBT 100LA or CBT 70J line array column speakers onto a standard speaker stand having a 35 mm (1-3/8 inch) diameter mounting pole, such as JBL's SS2-BK or other brand.

Caution: MTC-CBT-SMB1 is not for use with the CBT 70J and CBT 70JE combined array.



Instructions:

- 1) Using the four included 6mm (diameter) x 16 mm (length) x 1 mm (thread-pitch) bolts, flatwashers and lockwashers, attach the MTC-CBT-SMB1 bracket to four inserts on the back of the CBT speaker. Note that the CBT 50LA and CBT 100LA use the center-most holes in the bracket (50 x 108 mm; 2 x 4.25 inch pattern), and that the CBT 70J uses the outer-most holes (70 x 127 mm; 2.75 x 5.0 inch pattern) (See diagrams).
- 2) Slide the bracket onto the 35 mm (1-3/8 inch) pole of a speaker stand.
- 3) Loosen the bracket's Angle Adjustment Bolt. Adjust the downward/upward tilt of the speaker. Tighten the Angle Adjustment Bolt until the speaker is secure at the desired angle.

Caution: The bracket places the center of gravity of the speaker toward the front of the stand, which can make the stand unstable. It is important to make sure the stand is stable and will not fall over. If it is unstable, do not use it. A wide-base stand may be needed in some instances.