

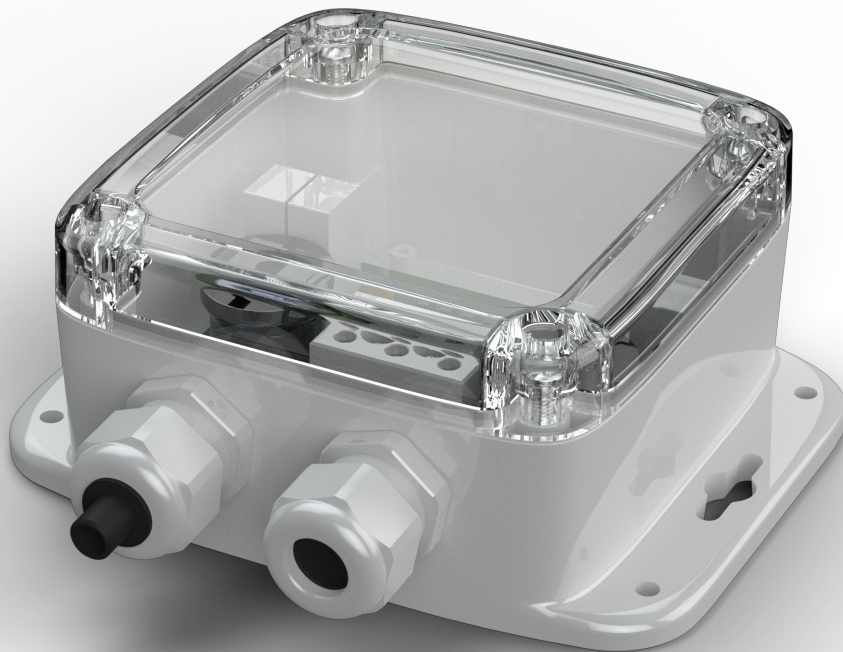
END OF LINE

Datasheet

Applies to Part Number:

TUN-EOL

End of Line



Delivering Clear and Intelligible Messages



User Notice:

- No part of this document including the software described in it may be reproduced, transmitted, transcribed, stored in a database system or translated without the express written permission of Harman Professional. Documentation kept by the end-user for backup purposes is excluded from the above mentioned.
- All products and corporate names mentioned in this document may be registered trademarks or copyrights of their respective companies. They are used here for indicative purposes only.
- The information contained in this document has been carefully checked for accuracy, however no guarantee is given with respect to the correctness. Harman Professional accepts no responsibility or liability for any errors or inaccuracies that may appear in this document or the products and/or software described in it.
- Specifications and information contained in this document are subject to change at any time without notice.

Table of Contents

User Notice:	2
1. Architectural and Engineering Specifications	4
2. Specifications	5
3. Mechanical Details	6
4. Connection Details	7

1. Architectural and Engineering Specifications

The End Of Line unit is used as an End of Line termination in audio systems that use a high frequency (around 23kHz) pilot tone to detect open and short conditions. The termination is placed at the farthest end of the loudspeaker circuit. Unlike most loudspeakers the EOL box is reactive above 20kHz such that the resulting current can be measured using an AXYS Industry Amplifier. If the circuit is either opened or shorted, the measured current will change. The EOL box presents either a 75Ω or 150Ω load at 23kHz. This method requires the 23kHz pilot tone to be mixed together with the audio. The pilot tone can be generated within the Industry Amplifier family of amplifiers.

A failure can be seen and logged using the WinControl Server and/or mapped to the fault relay on the Industry Amplifier.

Both EOL networks are accommodated on a single board. A three terminal ceramic screw-down block is provided to connect the loudspeaker cable with one common connection and two separate branches for 75Ω (PB-400) or 150Ω (PB-800). Only one branch should be connected at any one time. A common LED indication is implemented to serve both circuits. PTC fuse restores after approximately 10 seconds to normal operation after tripping.

Dimensions are 146 mm (5.7") L x 114 mm (4.5") W x 62 mm (2.4") H. Weight 0.5 kg (1.1 lbs)

2. Specifications

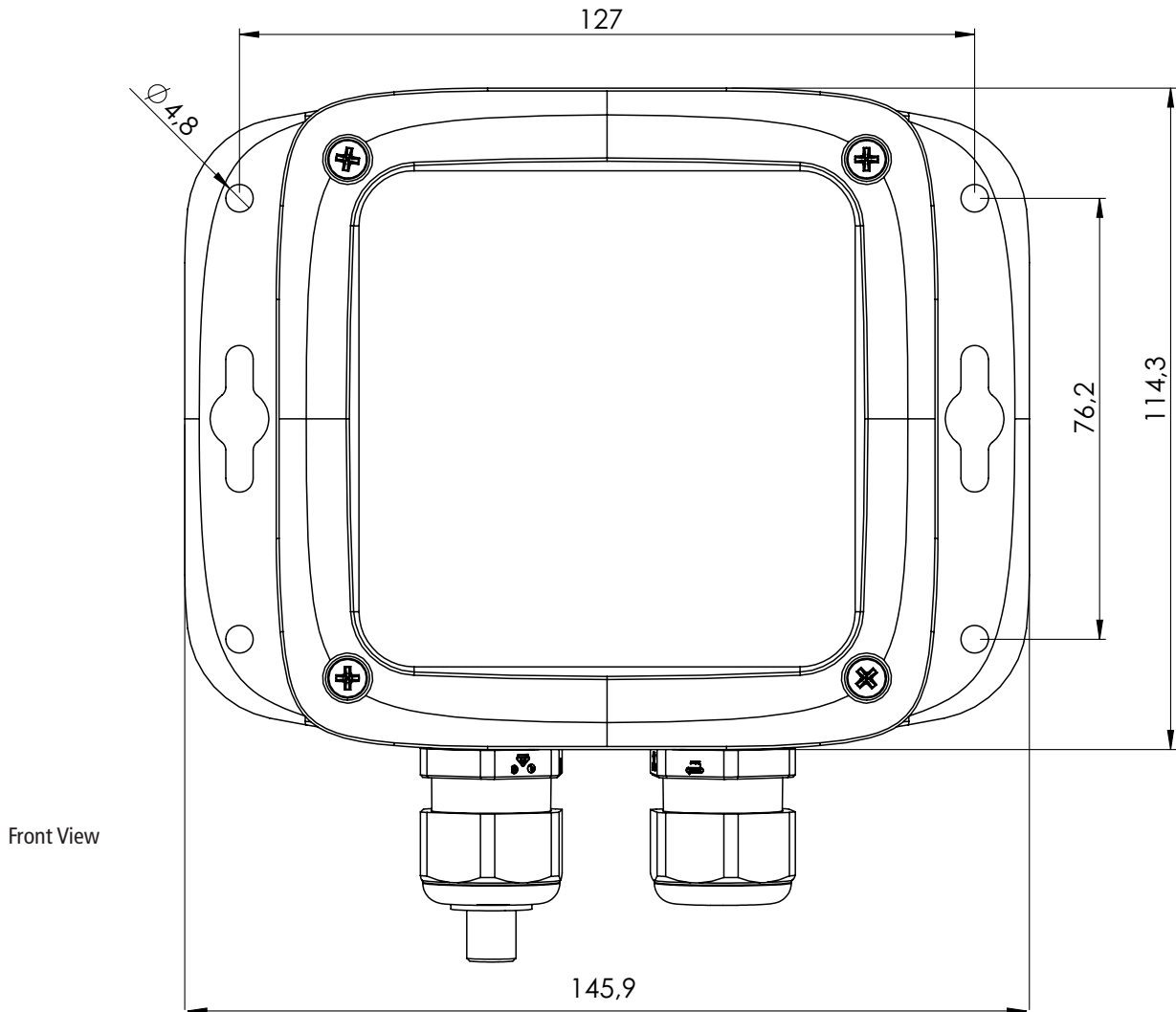
Electrical:

Rated Impedance	- 75 Ω tap - 150 Ω tap	: 75 Ω (23 kHz) : 150 Ω (23 kHz)
Rated Voltage		: 100 Vrms
Polarity		: 75 Ω tap / 150 Ω tap = +, 0 V = -
Fuse	- PTC (Self resetting)	
Connections	- Screw terminal block - Material - Rated cross-section	: 75 Ω tap / 150 Ω tap / 0 V (common) : Steatite housing with brass inserts : 2.5 mm ²
Cable gland	- Type - Minimum diameter - Maximum diameter	: PG 13.5 : 6 mm : 12 mm
Pilot tone detection	- Indicator - Frequency range - Minimum level	: Green LED on front : 20k - 23k Hz : 3.5 V _{rms}

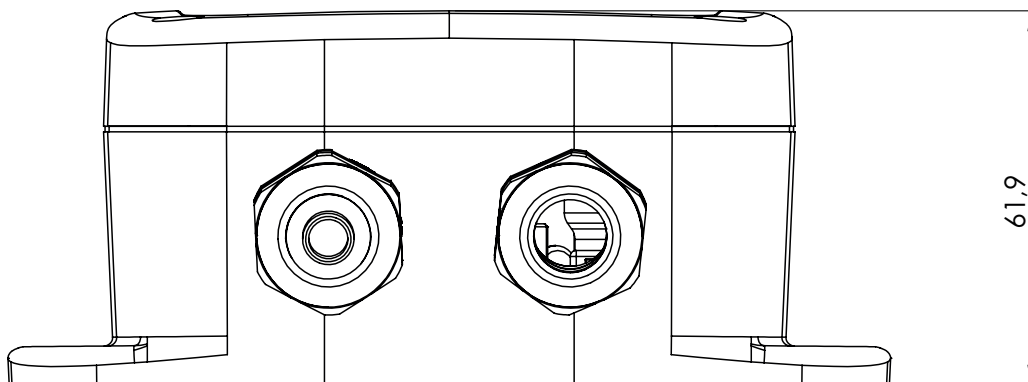
General:

Dimensions (L x W x H)		: 146 mm (5.7") x 114 mm (4.5") x 62 mm (2.4")
Default colour		: Grey with clear lid
Weight		: 0.5 kg (1.1 lbs)
Enclosure material		: Polycarbonate
Flammability		: UL 94 class V-0
Enclosure protection		: IP 65
Certificates		: CE

3. Mechanical Details



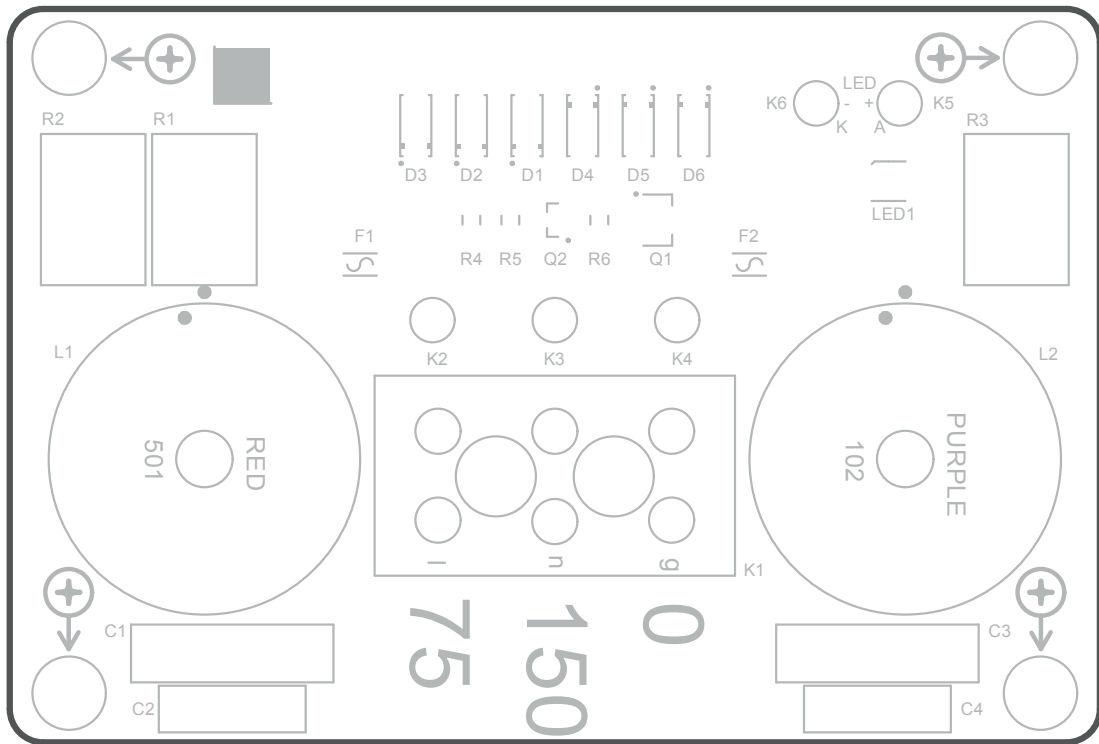
Front View



Side View

Note: All dimensions in mm

4. Connection Details





www.axystunnel.com